

Uniclass L384:N3243	EPIC C44: Y423
CI/SfB (22.8)	Ry (K2)



# Promat DURAWALL®

*An integrated fire and blast rated barrier system*



## The Promat DURAWALL® System



The Promat DURAWALL® System	2
Promat DURAWALL® Wall Panels	4
Promat DURAWALL® Ceiling Panels	7
Promat DURAWALL® Doorsets	8
Promat DURAWALL® Penetration Seals and Services	9
Promat DURAWALL® Structural Steel Protection	10
Promat DURAWALL® Protected Zones	11
Installation and Maintenance	12

### About Promat DURAWALL®

Promat DURAWALL® is a fully certified, fire rated barrier system for the construction of internal partition walls requiring up to 240 minutes fire and blast protection.

Built around the Promat DURAWALL® Wall Panel (steel faced panel, with a non-combustible rock wool core), the system includes a range of Promat products offering fire protection to ceilings, doors and voids, penetrations, structural steel and protected zones.

The system includes:

- Promat DURAWALL® Wall Panels
- Promat DURAWALL® Ceiling Panels
- Promat DURAWALL® Doorsets
- Promat PROMASEAL® Fire Stopping Range
- Promat PROMATECT®-250 and Promat VERMICULUX® for structural steel fire protection
- Promat SUPALUX® for Protected Zones

Typically, benefits of the system include:

- 10 times faster installation time than a steel stud and board system
- Fully tested fire resistance for up to 240 minutes
- Blast tested partitions
- Specialist licensed installers
- Certificate of Conformity issued upon inspection
- Range of colours available to compliment your building environment
- Over 50 years of passive fire protection experience and technical expertise



# The Promat DURAWALL® System

## TESTING AND CERTIFICATION

Composite panels are often installed in buildings, where only the panel itself has been given some kind of fire protection “approval”. Naturally this creates difficulties when issuing warranties and Certificates of Conformity (often required by Clients, Insurers and Building Control Officers).

The Promat DURAWALL® system has undergone rigorous testing to the highest standards in accordance with BS 476 Part 22 and independently approved by the Loss Prevention Certification Board (LPCB) to LPS1181 (reaction to fire) and LPS1208 (fire resistance).

Promat DURAWALL® walls and ceilings have been approved by Factory Mutual to FMRC standard 4880, ‘Class 1 fire classification of metal faced insulated wall panels with non-combustible core for installation with no height restriction’. Promat DURAWALL® Wall Panels can be installed horizontally or vertically.

Unlike other compartmentation products of this type, all elements of the structure have been tested, producing a fully integrated system. This means that in traditionally difficult areas such as protected zones, doors and service penetrations, the full combination of products have achieved the highest levels of fire performance. By passing these tests, the system has achieved all relevant approvals, as well as full integrity and insulation (EI) testing up to 240 minutes.

Using a fully integrated compartmentation system such as Promat DURAWALL® provides the client with reassurance that there will be no mismatched or incompatible components, which have not been tested together and therefore may fail during a fire.

## FIRAS ACCREDITATION

In addition to the certification of the system, Promat DURAWALL® installers also have to achieve independent third party accreditation. All registered installation companies must be registered and trained in accordance with the FIRAS third party accreditation scheme or other approved schemes.



## CERTIFICATES OF CONFORMITY

During installation and on completion of the project, Promat will visit site to inspect the Promat DURAWALL® system. Upon approval, Promat will issue a full Certificate of Conformity for the barrier and its associated elements. Again, this gives peace of mind to the client, who will be assured of the installation and performance of the system.

## BLAST TESTING

As Promat DURAWALL® is often used in highly sensitive areas such as Data Centres where the results of fire or blast have additional and more serious consequences, Promat DURAWALL® has been subjected to stringent blast testing at the Health and Safety Laboratory (HSL), an agency of the Health and Safety Executive (HSE).

The risk of explosion may need to be considered by those with highly sensitive buildings where the risk of malicious attack cannot be ruled out, or where electrical generator or transformer equipment is present and there is a danger of explosion. Consideration should also be given to those areas where the results of an explosion would have catastrophic consequences for the continuity of a business.

## LICENSED INSTALLERS

To promote the level of quality offered by the system itself, the Promat DURAWALL® system can only be installed by licensed installation companies. These installers will have been individually trained by Promat and their systems and processes regularly reviewed. Not only is the installation process monitored, but also the administration and compliance elements of their business, to ensure the highest level of service and client satisfaction.

The following excerpt is from the FPA Design Guide for the Fire Protection of Buildings.

*“A principal objective of compartmentation is to prevent the spread of fire between adjoining buildings. Similar objectives apply to the subdivision of individual buildings into two or more fire compartments either horizontally or vertically. The need for subdivision of individual buildings to give adequate property and business protection will depend on an assessment of a number of factors, including values at risk, the hazard arising from the occupancy, anticipated brigade response and, in the event of a fire, potential impact on the trading operation of the occupier (business interruption)”.*



## Promat DURAWALL® Wall Panel

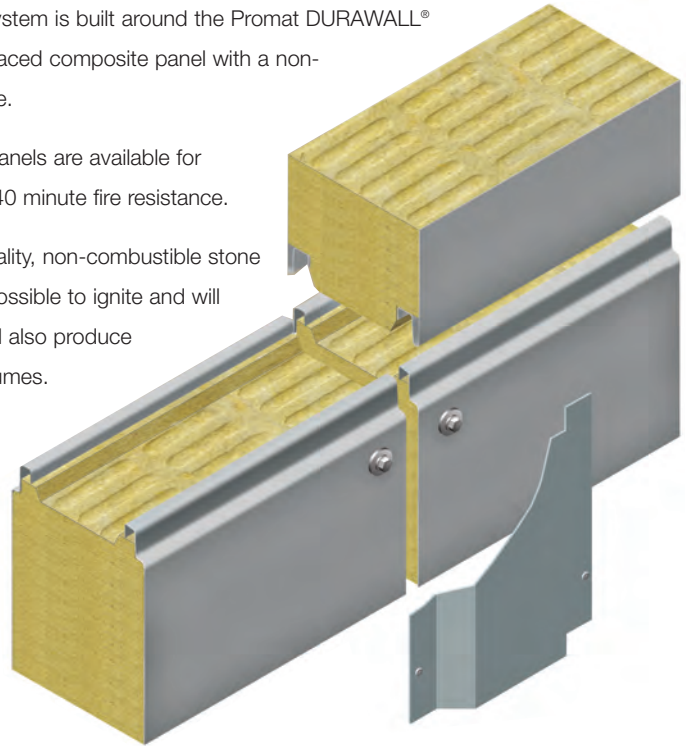


The Promat DURAWALL® system is built around the Promat DURAWALL® Wall Panel which is a steel-faced composite panel with a non-combustible stone wool core.

Promat DURAWALL® Wall Panels are available for 60 minute, 120 minute or 240 minute fire resistance.

The core material is high quality, non-combustible stone wool, which means it is impossible to ignite and will not contribute to a fire. It will also produce very little smoke and toxic fumes.

The specially formulated stone wool has a predominately vertical fibre structure, which provides high shear, compression and tensile strengths.



As standard, Promat

DURAWALL® Wall Panels are

available in Promat DURAWALL® White. The facings are specially formulated by Corus with a 25 micron coating providing excellent durability and formability. Available in a smooth finish, the system includes an anti-corrosive primer for added protection.

Promat also offer a range of other colours manufactured to compliment your environment. Please consult Promat Technical Services Department on 01344 381 400 for additional information.

A high performance adhesive has been developed especially for the Promat DURAWALL® system, enabling superior high temperature resistance. The core composition is formed from an inert stone wool board bonded with resin, which may contain small quantities of mineral oil. This crucial technical development has resulted in the improvement of bond strength between the insulating core to the unexposed face during a fire.

### WALL PANEL SPECIFICATIONS

Panel Type	Panel Thickness (mm)	Fire Rating (mins)	Panel Face - Steel Thickness (mm)	Panel rock wool Core Density (kg/m³)
Promat DURAWALL® 60	100	EI 60	0.5	99
Promat DURAWALL® 120 Standard	100	EI 120	0.5	135
Promat DURAWALL® 120 Premium	150	EI 120	0.5	135
Promat DURAWALL® 240	150	EI 240	0.7	135



# Promat DURAWALL® Technical Data

## WALL PANEL SIZES

	Sizes Available	Tolerances (mm)
Length (mm)	Minimum 2000mm Maximum 9400mm	+/- 10
Width (mm)	1150	+/- 2
Thickness (mm)	100, 150	+/- 1

Note: Further lengths are available to special order.

## WALL PANEL WEIGHTS

Panel Type	Panel Thickness (mm)	Nominal Panel Weight (kg/m <sup>3</sup> )
Promat DURAWALL® 60	100	17.34
Promat DURAWALL® 120 Standard	100	21.84
Promat DURAWALL® 120 Premium	150	28.59
Promat DURAWALL® 240	150	31.90

## WALL PANEL THERMAL PERFORMANCE

Panel Type	Panel Thickness (mm)	U Value (W/m <sup>2</sup> K)
Promat DURAWALL® 60	100	0.35
Promat DURAWALL® 120 Standard	100	0.38
Promat DURAWALL® 120 Premium	150	0.26
Promat DURAWALL® 240	150	0.26

## WALL PANEL ACOUSTIC PERFORMANCE

Panel Type	Panel Thickness (mm)	Weighted SRI (dB)
Promat DURAWALL® 60	100	28.5
Promat DURAWALL® 120 Standard	100	30.2
Promat DURAWALL® 120 Premium	150	31.8
Promat DURAWALL® 240	150	31.8

These tables are not exhaustive. Increased performance may be achieved by improving material specifications. Please consult the Promat UK Technical Services Department on 01344 381 400.



## Promat DURAWALL® Technical Data

These tables are not exhaustive.  
Increased performance may be achieved  
by improving material specifications.  
Please consult the Promat UK Technical  
Services Department on 01344 381 400.

### WALL PANEL SPANS

Panel Type	Maximum Horizontal Panel Spans (mm)	Maximum Vertical Panel Spans (mm)
Promat DURAWALL® 60	4500	4500
Promat DURAWALL® 120 Standard	9400*	9400*
Promat DURAWALL® 120 Premium	9400*	9400*
Promat DURAWALL® 240	9000	9000

\* Fire rated to 12m but span reduced for manufacturing and installation limitations.

#### Note:

1. Horizontal panels with spans less than 7000mm, require 3 fixings at each end.
2. Horizontal panels with spans over 7000mm, require 5 fixings at each end.
3. Vertical installed panels, the maximum span is 9400mm. An approved vertical head detail must allow for deflection movement and an approved side joint to allow free movement.
4. End fixings must be a minimum of 25mm and a maximum of 50mm from the end of the panels.

### ALLOWABLE HORIZONTAL WALL PANEL SPANS (mm)

Panel Type	0.65 kN/m <sup>2</sup> Load	0.45 kN/m <sup>2</sup> Load	0.25 kN/m <sup>2</sup> Load
Promat DURAWALL® 60	3700	4500*	4500*
Promat DURAWALL® 120 Standard**	5900	7100	9400*
Promat DURAWALL® 120 Premium	7200	8600	9400*
Promat DURAWALL® 240 ***	8600	9000*	9000*

#### Note:

- \* Panel spans limited by fire resistance spans.
- \*\* Promat DURAWALL® 120 standard wall panels must have all panel joints stitched together at 3000mm (3 metre) centres.
- \*\*\* Promat DURAWALL® 240 standard wall panels must have all panel joints stitched together at 300mm (0.3 metre) centres.

For further information please contact Promat Technical Services Department on 01344 381 400.



## Promat DURAWALL® Ceiling Panels

Promat DURAWALL® Ceiling Panels are specifically designed to withstand temporary loads required for maintenance access only and are available for 60 minutes and 120 minutes fire resistance.

All Promat DURAWALL® Ceiling Panels have a 135kg/m<sup>3</sup> stone wool core with a 0.7mm top panel face and 0.5mm bottom panel face. The top face of the panel is supplied with a 'ribbed' minibead profile finish as standard at every 171mm nominal spacing centres, running parallel with the length of the panel.

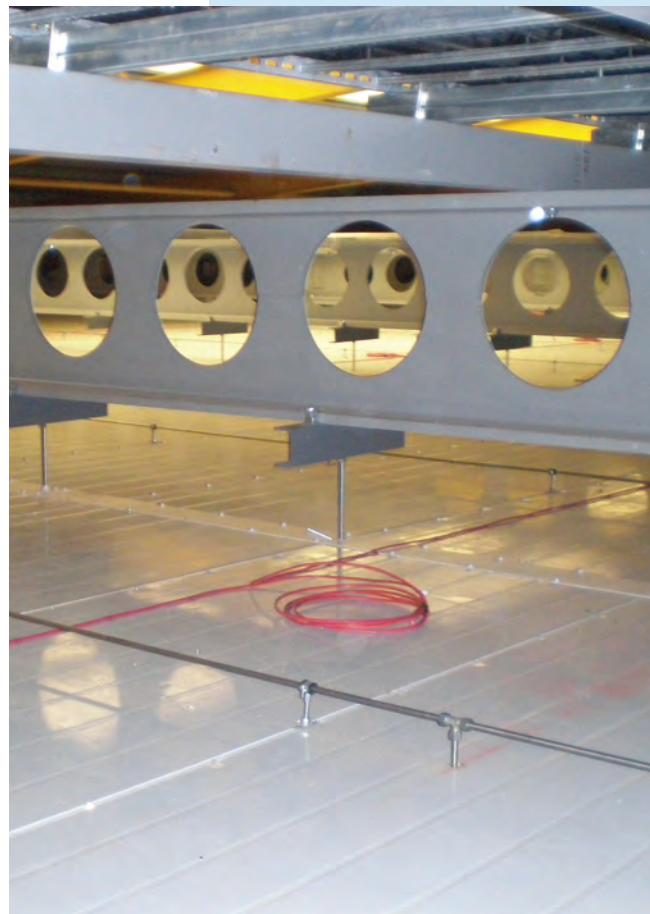
The ribs on the top panel surface increase the panel rigidity and the top face of the ceiling panel has increased glue coverage rate during manufacture to increase panel strength.

### CEILING PANEL STITCHING REQUIREMENTS

Stitcher screws must be minimum 20mm long and minimum 4.2mm diameter (No.8), maximum 6.3mm diameter (No.14).

- 60 minute Standard Promat DURAWALL® Ceiling Panels do not require panel joints to be stitched.
- 60 minute Premium Promat DURAWALL® Ceiling Panels must have all panel joints stitched on the top and bottom faces of the ceiling panels using 25mm x No.8 self-drilling self-tapping stitcher screws at 300mm centres.
- 120 minute Promat DURAWALL® Ceiling Panels must have all panel joints stitched on the top and bottom faces of the ceiling panels using 25mm x No.8 self-drilling self-tapping stitcher screws at 300mm centres.
- Care must be taken to ensure that the correct side of the joint is stitched so that the stitcher screws penetrate into the steel faces of the interlocking panel joint. Stitcher screws must be located 10mm from the correct panel edge.

Further information on Promat DURAWALL® Ceiling Panels can be obtained by contacting Promat Technical Services Department on 01344 381 400.



### CEILING PANELS

Ceiling Panel Type	Panel Thickness (mm)	Fire Resistance (minutes)	Ceiling Panel Weight (kg/m <sup>2</sup> )	Maximum Panel Span (m)
Promat DURAWALL® 60 Standard	100	60	23.51	4.2
Promat DURAWALL® 60 Premium	150	60	30.26	6.0
Promat DURAWALL® 120	150	120	30.26	3.6
Promat DURAWALL® 120*	150	120	30.26	3.0*

\* Fire resistance from above only for panels supported by steel beams, intermediate support is required below ceiling panels at 3m centres, 120 minute panels can span 6m with this 3m intermediate support. Contact Promat Technical Services Department for further information.

## Promat DURAWALL® Doorsets

As soon as a door is put into a compartment wall, the integrity of the compartment is breached, therefore making the separation ineffective. The only solution is to fire test suitable doors, windows and other similar access penetrations to ensure that they will maintain the same fire performance capabilities as the compartment wall into which they are installed.

Promat DURAWALL® Doorsets include fire rated doors and frames tested for up to 240 minutes fire resistance which are available in 12 standard colours.

Promat DURAWALL® doors consist of a steel sheet door leaf, reinforced with a galvanised steel sub-frame and bonded with a stone wool core infill.

Promat DURAWALL® frames comprises of steel folded to form a two-part clamp frame that is fitted into the Promat DURAWALL® wall panel opening.

### TESTING


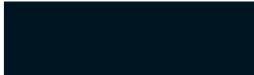

Promat DURAWALL® Doorsets have been fire tested to satisfy the fire integrity criterion of BS 476: Part 22: 1987 for up to 240 minutes fire integrity performance.

Promat DURAWALL® Doorsets have also been tested in accordance with: EN1191: 2000 Windows and doors – Resistance to repeated opening and closing and classified in accordance with BS EN 12217:2003 Doors – Operating Forces – Requirements and classification and BS EN 12400: 2002 Windows and pedestrian doors – Mechanical Durability – Requirements and classification.

Promat DURAWALL® Doorsets have been successfully cyclic tested for durability, achieving in excess of 50,000 cycles and are classified as Grade 3 in accordance with EN 146000. This standard is further referenced in EN 14351-1, pr EN 14351-2 and Part 3.

Further information on the range of Promat doors can be obtained by contacting Promat Technical Services Department on 01344 381 400.

### Promat DURAWALL® DOORSETS COLOUR RANGE

		
RAL 9010	RAL 9002	RAL 9005
		
RAL 5003	RAL 5010	RAL 6005
		
RAL 9006	RAL 7035	RAL 7016
		
RAL 7038	RAL 3002	BS 08B29

*NOTE: The colours shown in this chart may vary slightly from the actual sheet colours due to the limitation of the printing process.*





## Promat DURAWALL® Penetration Seals

As with doors and other access penetrations, the integrity of the barrier will almost certainly be interrupted by the penetration of services such as pipes, cables and ducts.

Even the smallest of holes can allow the ingress of smoke, toxic gasses, heat and finally flame. Tests show that smoke can travel at up to 1m per second, and is responsible for the majority of deaths that occur in fire situations.

It is therefore obviously key to seal any holes, gaps or breaches of the compartmentation system to prevent these issues occurring.

### Promat PROMASEAL®

The Promat PROMASEAL® range of fire stopping products is one of the most comprehensive in the industry. It is comprised of a number of sealing solutions, from Intumescent and Silicone sealants, through to Fire Pillows and the Promat PROMASEAL® Unicollar.

Systems such as these have a proven track record of sealing the penetrations found in these environments, such as power cables, plumbing and heating pipes, ventilation ducts, movement joints etc.

The range is designed to offer specific protection for individual penetrating elements.

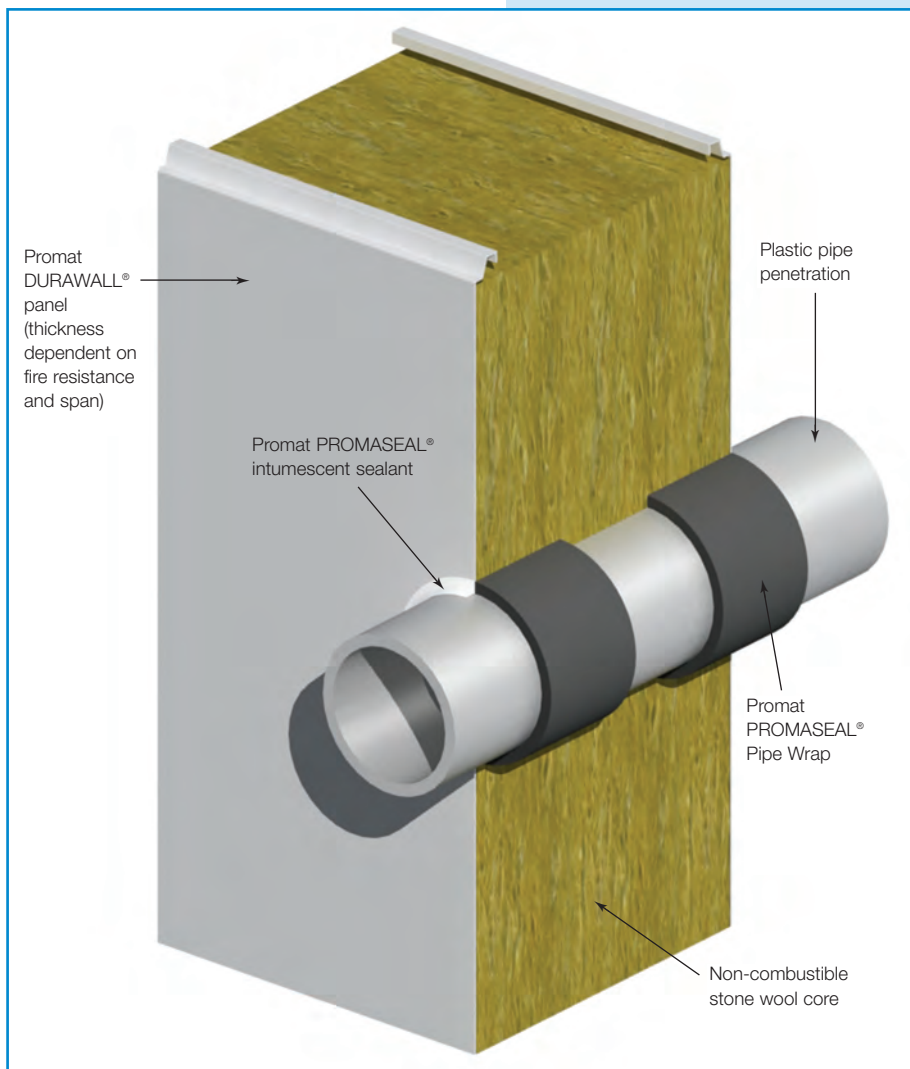
Every service passing through fire resistant building elements reacts in a different way in the event of a fire, so there is no single solution or product that will protect all services.

Promat PROMASEAL® products are tested to the highest standards, are manufactured using the highest quality materials and are third party accredited under the Certifire scheme.

### Integrity of the System

As with all products that make up the Promat DURAWALL® system, the Promat PROMASEAL® range is tested in conjunction with the other elements of construction, therefore ensuring compatibility. The full system has undergone testing to achieve required fire performance and as such can receive a full, unique, Promat Certificate of Conformity.

This complete system approach ensures the integrity of the installed barrier, and can be relied upon to deliver total fire separation.



Promat PROMASEAL® Pipe Wrap – Plastic pipe penetration through Promat DURAWALL® panel



## Promat DURAWALL® Structural Steel Protection

### Promat PROMATECT®-250

Promat PROMATECT®-250 is a non-combustible mineral bound light weight board. It has a smooth matt upper surface and is off-white in appearance.

Promat PROMATECT®-250 provides a high degree of strength, dimensional stability and fire performance to structural steelwork.

### Promat VERMICULUX®

Promat VERMICULUX® is a lightweight non-combustible board specially designed to provide fire protection to structural steelwork. Up to 240 minutes fire resistance can be achieved depending on the thickness of material used and the dimensions of the beam or column being protected.

Promat VERMICULUX® is a low density calcium silicate board containing vermiculite and reinforced with selected fibres and fillers. It is formulated without any inorganic fibres.

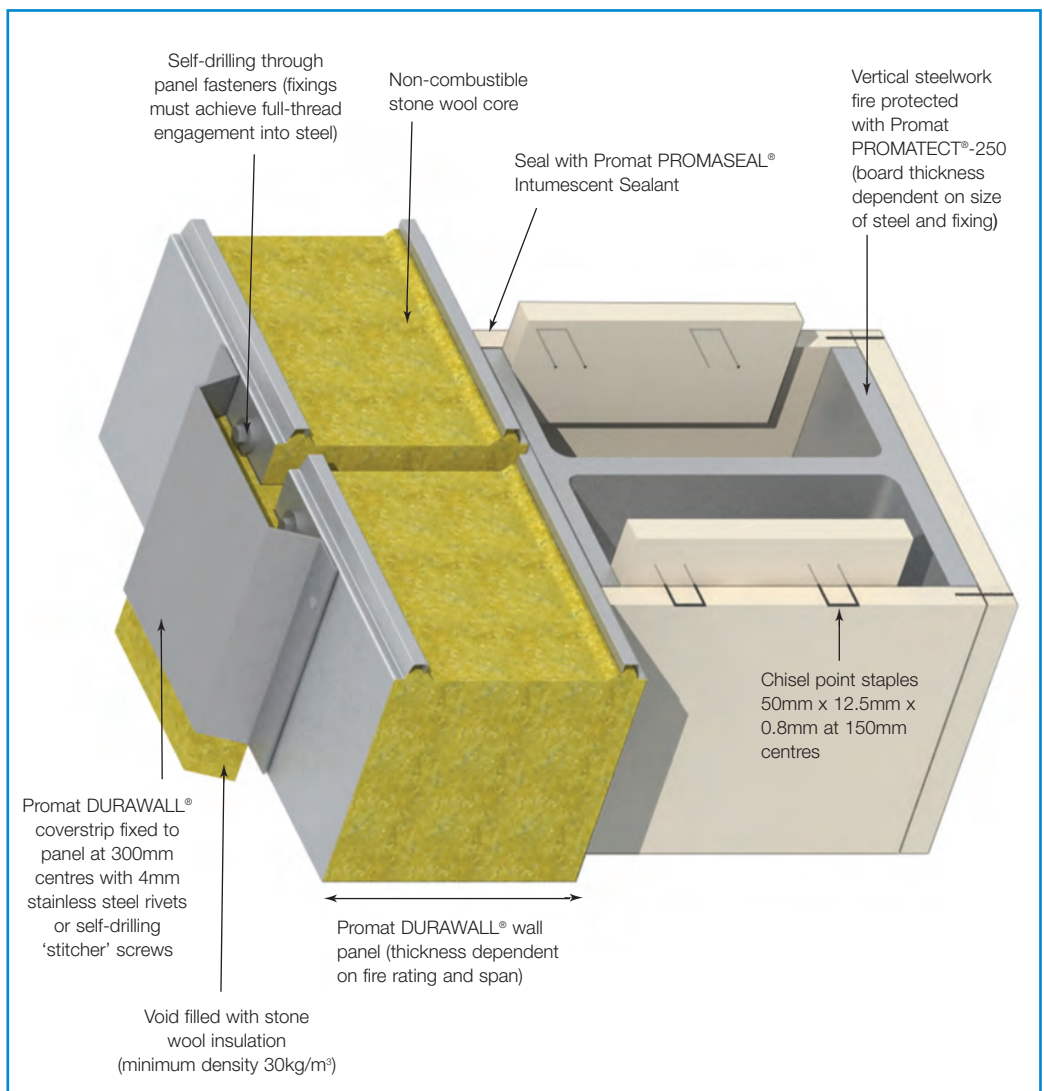
Promat VERMICULUX® is off-white in colour with a sanded finish on both faces. It can be left undecorated or it can be easily painted. It is resistant to moisture, will not disintegrate, warp or swell and can be installed at any time during the building programme, even before the external wall has been completed and the building closed in.

In order to support a Promat DURAWALL® system, the supporting structural steel requires protecting to at least the same fire rating as the Promat DURAWALL® system.

The type of fire protection required to achieve this depends on the following:

- Duration of fire resistance specified.
- Perimeter of the steel section exposed to fire.
- Shape and size of the steel section.
- Limiting temperature of the steel section.

To determine how these factors affect fire resistance, all Promat structural steel products and systems have been tested at accredited laboratories to BS 476: Part 21: 1987.



Promat DURAWALL® horizontally laid - Vertical joint detail



## Promat DURAWALL® Protected Zones

Although the Promat DURAWALL® system forms an obvious barrier to smoke and flame as a separating wall, the areas where it meets the roof and external walls also require consideration. If the adjacent element is not fire resistant, the flame can lick around or over the barrier and continue on the other side. To prevent this breach of integrity, the area of the joint should be protected to a fire rating of E60, I15, or else in adherence to the Insurers guidelines.

This band of protection is known as the Protected Zone and should follow the entire perimeter of the barrier (i.e roof and walls).

### Promat SUPALUX®

As a product designed to protect against fire, Promat SUPALUX® is a high performance, highly specialist board, yet very simple to install. As protected zones are often suspended above head height as a lining to the roof, the lightweight nature of Promat SUPALUX® means that it is ideally suited to the application.



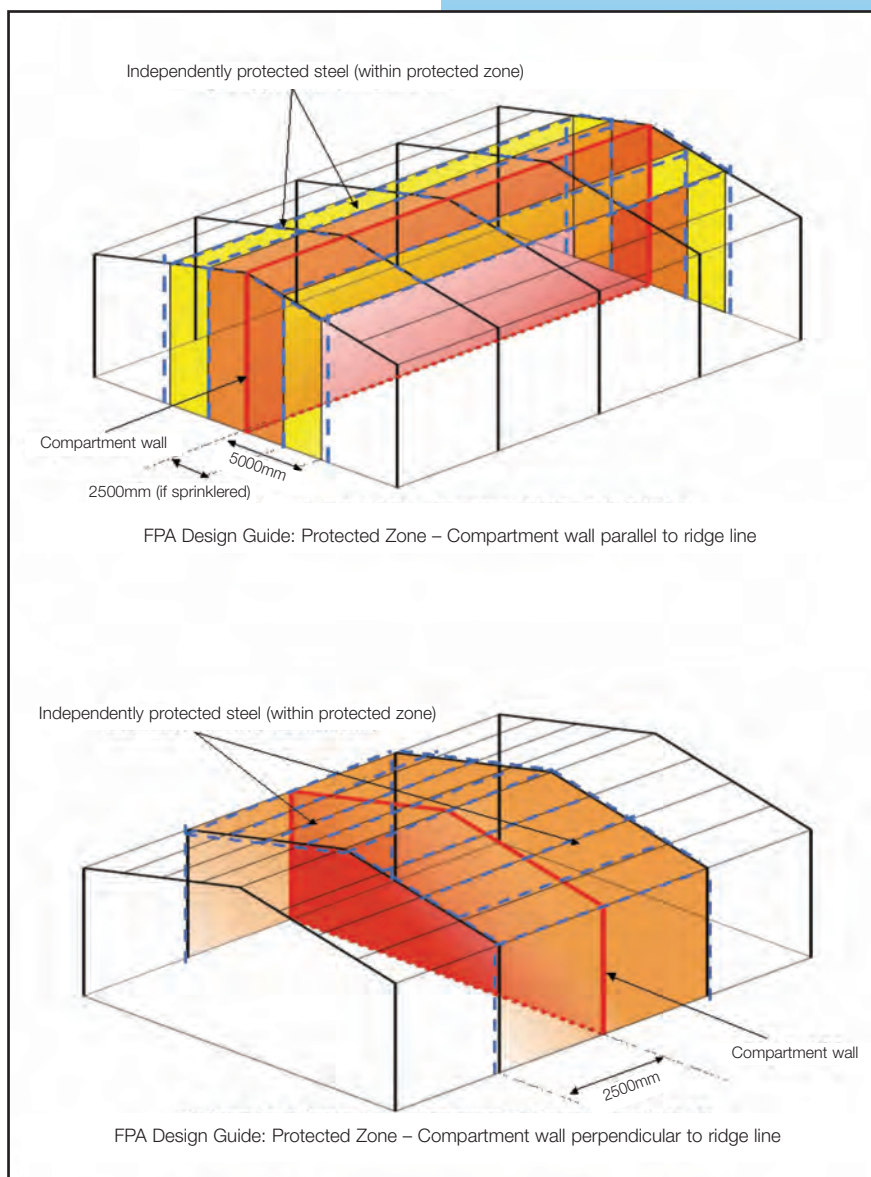
### FPA DESIGN GUIDE FOR THE FIRE PROTECTION OF BUILDINGS

The FPA Design Guide is a document aimed at protecting businesses against disruption and loss of critical stock and

machinery due to fire. It is published by the Fire Protection Association, in association with the RISC Authority Fire Research Group.

In 2000, the LPC published the most recent edition of Design Guide for the Fire Protection of Buildings. This was a major work of reference for those most closely concerned with the design and construction of industrial and commercial buildings.

Now published by the FPA, the Design Guide informs architects and designers about the business risk management issues which relate to the fire protection of buildings, issues which supplement the life safety requirements contained in the principal legislative controls (Approved Document B). One of the core documents that makes up the guide relates purely to the design, specification and construction of protected zones. Within the document, there is information on extent of the zone and fire ratings expected by insurers and the industry as a whole. For further information on this document, or the specification and installation of protected zones, please contact the Promat Technical Services Department 01344 381 400.



## Promat DURAWALL® Installation

### TECHNICAL SERVICES DEPARTMENT

- Promat Technical Service Department are able to offer bespoke design details, on or off-site consultancy and advice gained from in excess of 40 years in the fire protection industry.
- The Promat DURAWALL® system is supported by specific team members who, having undergone high levels of training and education, are able to comment on all aspects of the installation.
- Promat Technical Services Department can be contacted on 01344 381 400 fax: 01344 381 401 or e-mail: [technicaluk@promat.co.uk](mailto:technicaluk@promat.co.uk).

A safety data sheet is available from the Promat Technical Services Department and, as with any other materials, should be read before working with the product. The product is not classified as a dangerous substance and so no special provisions are required regarding the carriage and disposal of the product to landfill. This can be placed in an on-site skip with other general building waste which should be disposed of by a registered contractor.

### INSTALLATION

Due to the weight of Promat DURAWALL® panels, it is always recommended that they are lifted and installed by the recommended lifting devices. For vertically installed panels, Promat recommends the use of Oktopus lifting devices (also suitable to install Promat DURAWALL® panels horizontally). For horizontal installation, Promat recommend the use of Lister RD panel clamps. Both of these systems allow the panel to be installed accurately and quickly.

### PROFILES

As the Promat DURAWALL® system is designed to offer a fully integrated barrier solution, the finishing and fitting of the panels is of the utmost importance. To enable this, a full range of powder coated ancillary profiles are available to compliment the system. These range from finishing skirtings and trims to tracks, flashings and penetration seal angles.

The result is a fully finished barrier system that requires no further maintenance or attention.

### REPAIR AND DAMAGED PANELS

Promat DURAWALL® panels are all delivered protected by a self-adhesive protective film, which is only removed once the panel has been fitted. This ensures that most site debris, such as dust and sand will not damage the surface of the panel.

If impact or abrasion causes the panel to be damaged, it is possible to have the panel restored or repaired by a specialist repair method. In events of major damage, the panel should be removed and replaced, as creasing or piercing of the panel will cause a reduction in the structural strength of the system and may impair the specified fire resistance.

To further minimise on-site panel damage by follow-on trades after installation, additional temporary protection may need to be considered.

### MAINTENANCE

The Promat DURAWALL® System been specially formulated by Corus with a 25 micron coating which provides excellent durability.

Walls can be washed down with fresh water from a hose or bucket. A solution of fresh water and Tepol or non-aggressive detergent, which contains dilute ammonia, may be used to remove heavy deposits, followed by a fresh water rinse. Water temperature should not exceed 60°C.

Stubborn oil or grease stains can be easily removed with white spirit on a soft cloth, followed by an immediate fresh water rinse.

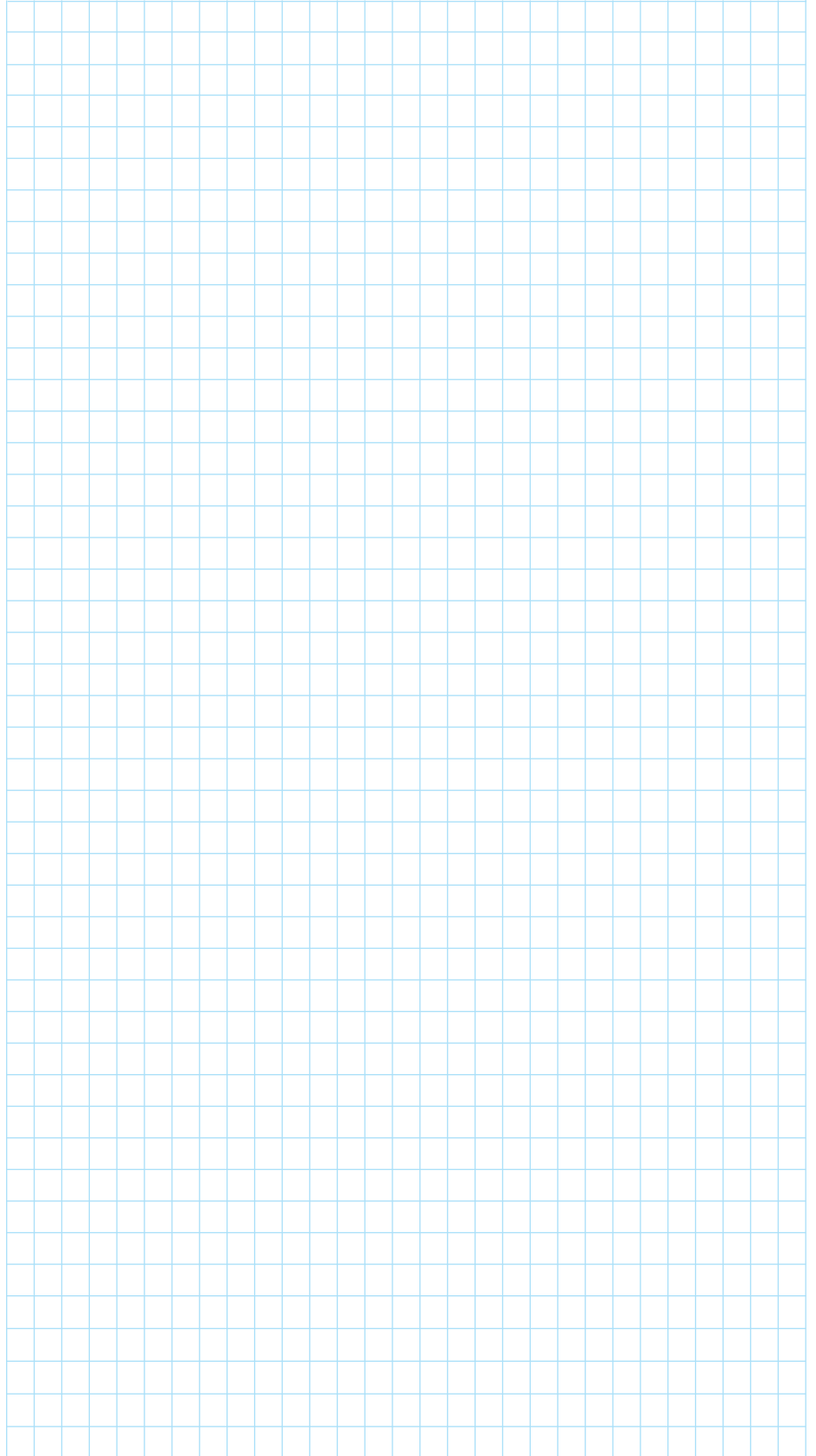
Solvents, cleaners containing abrasives and cleaners in strong concentrations should not be used.





## Notes

---

A large grid of graph paper for taking notes, consisting of 20 columns and 30 rows of small squares.



**HEAD OFFICE, Belgium**

Promat International NV  
Bormstraat 24  
BE-2830 Tiselt  
Tel. +32 15 71 81 00  
Fax +32 15 71 81 09  
E-mail info@promat-international.com  
www.promat-international.com  
www.promat-tunnel.com  
www.promat-marine.com  
www.promat-spray.com

**ASIA PACIFIC HEADQUARTERS  
Promat International (Asia Pacific) Ltd.**

Unit 19-02-01, Level 2  
PNB Damansara  
No. 19 Lorong Dungun  
Damansara Heights  
MY-50490 Kuala Lumpur  
MALAYSIA  
Tel. +60 3 2095 8555  
Fax +60 3 2095 2111  
E-mail info@promat-ap.com  
www.promat-ap.com

**AUSTRALIA**

Promat Australia Pty Ltd.  
1 Scotland Road, Mile End  
AU- SA 5031 ADELAIDE  
Tel. +61 8 8352 6759  
Fax +61 8 8352 1014  
E-mail mail@promat-ap.com  
www.promat-ap.com

**AUSTRIA**

Promat Ges.m.b.H.  
Seybelgasse 13  
AT-1230 WIEN  
Tel. +43 1 865 45 01  
Fax +43 1 865 36 00  
E-mail office@promat.at  
www.promat.at  
Intumex GmbH  
Buchnerplatz 1  
4021 Linz  
Tel: +43 70 6912 3767  
Fax: +43 70 6912 3740  
Email: info@intumex.at  
www.intumex.at

**BELGIUM**

Promat NV  
Kuiermansstraat 1  
BE-1880 KAPELLE-OP-DEN-BOS  
Tel. +32 15 71 33 51  
Fax +32 15 71 82 29  
E-mail info@promat.be  
www.promat.be

**CHINA**

Promat China Ltd.  
Room 503, Block B,  
Qi Lin PlazaHG  
13-15 Pan Fu Road  
CN-510180 GUANGZHOU  
Tel. +86 20 8136 1167  
Fax +86 20 8136 1372  
E-mail info@promat.com.cn  
www.promat.com.cn

**CZECHIA**

Promat s.r.o.  
Ckalova 22/784  
CZ-160 00 PRAHA 6-BUBENEK  
Tel. +420 224 390 811  
Fax +420 233 333 576  
E-mail promat@promatpraha.cz  
www.promatpraha.cz

Intumex s.r.o.  
U Rajské zahrady 3  
Praha 3  
130 00 Czechia  
Tel: +420 2241 06 227  
Fax: +420 2241 06 228  
E-mail: intumex@intumex.cz  
www.intumex.cz

**FRANCE**

Promat S.A.S.  
rue de l'Amandier B.P. 66  
FR-78540 VERNUILLET  
Tel. +33 1 39 79 61 60  
Fax +33 1 39 71 16 60  
E-mail: info@promat.fr  
www.promat.fr

**GERMANY**

Promat GmbH  
Scheifenkamp 16  
DE-40878 RATINGEN 1  
Tel. +49 21 02 49 30  
Fax +49 21 02 49 31 11  
E-mail mail@promat.de  
www.promat.de

**GREAT BRITAIN**

Promat UK Limited  
The Sterling Centre  
Eastern Road, Bracknell  
Berkshire RG12 2TD  
Tel. +44 1344 381 300  
Fax +44 1344 381 301  
E-mail: salesuk@promat.co.uk  
www.promat.co.uk

**HONG KONG**

Promat International  
(Asia Pacific) Ltd.  
Room 1010, C.C.Wu Building  
302-308 Hennessy Road  
HK-WANCHAI  
Tel. +852 2836 3692  
Fax +852 2834 4313  
E-mail apromath@promat.com.hk  
www.promat-ap.com

**INDIA**

Promat Int. (Asia Pac.) Ltd.  
India Representative Office  
610-611, Ansul Imperial Tower  
C-Block, Community Centre  
Naraina Vihar, Naraina  
110028 NEW DELHI  
Tel. +91 11 2577 8413  
Fax +91 11 2477 8414  
E-mail info-india@promat-asia.com  
www.promat-ap.com

**IRELAND**

43 Fitzwilliam Square,  
DUBLIN 2  
Tel: +353 1 676 5778  
www.promat.ie

**ITALY**

Promat S.p.A.  
Corso Paganini 39/3  
16125 GENOVA  
Tel: +39 010 24 88 411  
Fax: +39 010 21 37 68  
E-mail info@promat.it  
www.promat.it

Comais s.r.l.  
Via Provinciale 10  
24040 Filago (BG)  
Tel: +39 035 993 737  
Fax: +39 035 99 4240  
Email: info@comais.it  
www.comais.it

**The NETHERLANDS**

Promat B.V.  
Vleugelboot 22  
3991 CL HOUTEN  
PO Box 40385  
3504 AD UTRECHT  
Tel: +31 30 241 0770  
Fax: +31 30 241 0771  
E-mail info@promat.nl  
www.promat.nl

**POLAND**

Promat TOP Sp.zo.o  
Ul. Przeclawska 8  
PL-03-893 WARSZAWA  
Tel. +48 22 212 2280  
Fax +48 22 212 2290  
E-mail top@promatop.pl  
www.promatop.pl

**RUSSIA**

Promat GmbH  
Repräsentanz  
ul. Kantemirovskaya 58  
RU-115477 MOSCOW  
Tel. +7 095 325 42 68  
Fax +7 095 231 79 77  
E-mail gd@promat.ru  
www.promat.ru

**SINGAPORE**

Promat Building System Pte Ltd.  
10 Science Park Road #03-14  
The Alpha,  
Singapore Science Park II  
SG-117684 SINGAPORE  
Tel. +65 6776 7635  
Fax +65 6776 7624  
E-mail info@promat.com.sg  
www.promat-ap.com

**SPAIN**

Promat Ibérica S.A.  
C/ Velazquez, 41 – 2 Planta  
ES-28001 MADRID  
Tel. +34 91 781 15 50  
Fax +34 91 575 15 97  
E-mail info@promatiber.es  
www.promatiber.es

**SWITZERLAND**

Promat AG  
Stationsstrasse 1  
CH-8545 RICKENBACH-SULZ  
Tel. +41 52 320 94 00  
Fax +41 52 320 94 02  
E-mail office@promat.ch  
www.promat.ch

**UNITED ARAB EMIRATES**

Promat Middle East  
Suite 1805  
18th Floor  
Dubai Festival City Tower  
PO Box 123945  
Dubai  
UAE  
Tel: + 971 4 232 9780  
Fax: + 971 4 232 9781  
E-mail: promatmiddleeast@promat.co.uk  
www.promat.co.uk

**VIETNAM**

Promat Int. (Asia Pacific) Ltd.  
Vietnam Representative Office  
Room 606 Giay Viet Plaza  
180-182 Ly Chinh Thang Street  
Ward 9, District 3, Hochiminh City  
Tel/Fax: +84 (8) 931 5964  
E-mail: phuong@promat-asia.com  
www.promat-ap.com

**Promat**



**Promat UK Limited**

The Sterling Centre, Eastern Road, Bracknell, Berkshire RG12 2TD  
Telephone: 01344 381 300 Fax: 01344 381 301  
www.promat-durawall.co.uk