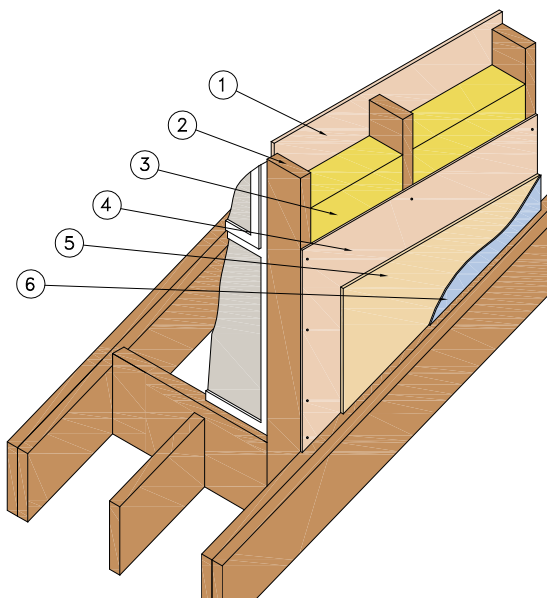


Introduction

It is important to consider the position of a dormer installation in relationship to the boundary line when the dormer cheek is less than 1 metre from the boundary. Where this occurs, The Building Regulations may require the dormer cheek to provide a period of fire resistance, to restrict possible fire spread between buildings.

Whether the dormer cheek will need to be fire protected will depend upon the m² area of the cheek, the m² of other unprotected elements of the facing wall and external surface finishes. The Building Control Office should be consulted for guidance.



The following construction may be adopted, where the dormer cheek requires 30 minutes fire resistance, both internally and externally.

Construction (from the internal side)

- 1) 9mm thick SUPALUX® board, or alternative system to provide 30 minutes fire protection, with vapour barrier. Boards fixed to timber studs using minimum 38mm long round head nails at nominal 300mm centres.
- 2) Timber studwork, minimum of 63mm x 50mm at 610mm centres, but sized to suit the dormer construction by a specialist roofing company, structural engineer or suitably qualified person. Deeper stud likely to be required to allow specific U values to be achieved.
- 3) Insulation between studwork, of suitable thickness and density to achieve the required U value (W/m²K) in accordance with Part L of the Building Regulations. Please note that Promat UK does not promote the use of combustible foam insulation in a fire resistant construction.
- 4) 9mm thick SUPALUX® board, fixed to timber studs using 38mm long round head nails at nominal 300mm centres. Breather paper required over board surface.
- 5) External cladding (eg weatherboard or slates hung on timber battens) fixed through the Supalux and into timber studs. External surface normally required to be Class O according to requirements of The Building Regulations.
External cladding should be vapour permeable.
- 6) Decorative finish, if required.

Note: Structural sheathing board may be required, fixed to the outside face of the timber studs, according to recommendations from the structural engineer.

Fire performance: 30 minutes integrity and insulation in accordance with BS 476: Part 22: 1987.

AUTHORITY: Promat Recommendation - Based on in-house knowledge and Technical Experience

Technical Data
Sheet – 054

Page 1 of 1
(Oct 2007)



Promat UK Limited
 Technical Services Department
 The Sterling Centre, Eastern Road
 Bracknell, Berkshire RG12 2TD
 Tel: 01344 381 400
 Fax: 01344 381 401
 E-mail: technicaluk@promat.co.uk

