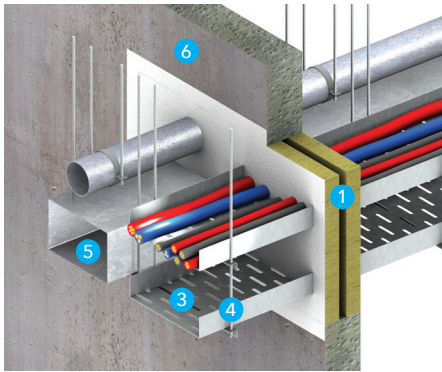
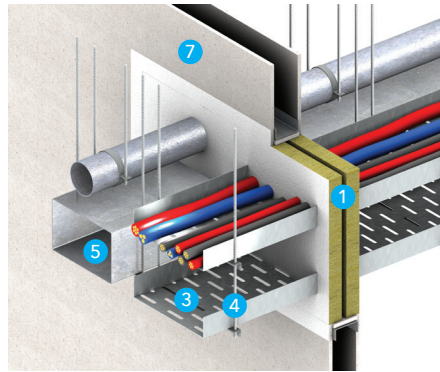


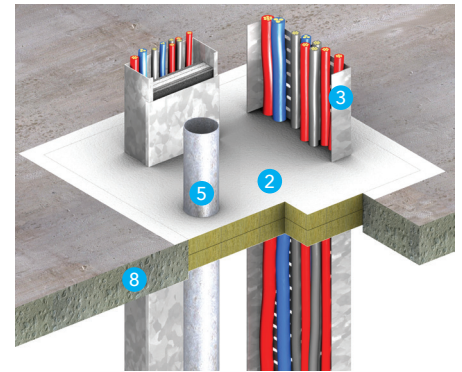
Promat PROMASEAL® Fire Barrier



Detail 1



Detail 2



Detail 3

General description

Promat PROMASEAL® Fire Barriers are slabs of high density rock wool with a white endothermic, ablative coating.

Application

Promat PROMASEAL® Fire Barriers are used to stop the spread of fire through openings in fire resistant walls and floors where these are used for the passage of building and communications services. Acoustic data is available on this product, please contact the Technical Services team.

Installation

Promat PROMASEAL® Fire Barriers are designed to be installed within openings in masonry, concrete or stud partition walls. The Promat PROMASEAL® Fire Barrier is cut to size such that a firm friction fit is achieved. Using a trowel or pallet knife, apply a layer of Promat PROMASEAL® Fire Barrier Coating or PROMASEAL® Intumescent Acrylic sealant to the areas in contact with the opening and also 'butter' onto the edges of the batt. See Installation Guide for further details.

Where Promat PROMASEAL® Fire Barrier batts are cut to accommodate passage of services through the batt, the batt should be cut tight-fit into the opening and tight-fit around the service penetrations.

Promat PROMASEAL® Fire Barrier Coating or PROMASEAL® Intumescent Acrylic Sealant must be used to point-in any service penetrations through the batt.

Services should be supported no more than 500mm from both sides of the Fire Barrier.

Detail 1 Solid Wall –

Promat PROMASEAL® Fire Barrier System may be mounted in brickwork or on concrete walls to a minimum 66mm thick (for 60 minutes fire protection), providing the fire resistance of the wall is higher or equal to the installed system.

For installations in thicker walls, Promat PROMASEAL® Fire Barrier can be arranged as a flush surface on both sides with a suitable gap in between. Services should be rigidly supported via steel angles, hangers or channels, not further than 500mm from the surface of the sealing system on both faces.

Detail 2 Lightweight Partition –

The lightweight partitions should be tested to BS 476: Part 22: 1987 to the same or greater period of fire resistance as is required by the Fire Barrier System. Services should be rigidly supported via steel angles, hangers or channels, not further than 500mm from the surface of the sealing system on both faces.

Detail 3 Floor Penetration –

The aperture must be formed from track sections and be lined with two layers of 12.5mm thick Type 'F' gypsum boards.

Key to Illustrations

- ① Promat PROMASEAL® Fire Barrier.
- ② Promat PROMASEAL® Fire Barrier (non-loadbearing) 50mm thick.
- ③ Cable trays.
- ④ Suspension or support of cable trays.
- ⑤ Cables, cable bunches, metal pipes or service trunking.
- ⑥ Brickwork or concrete walls, with fire resistance to the same or greater than the fire resistance of the installed fire barrier system.
- ⑦ Light weight partitions, with fire resistance to the same or greater than the fire resistance of the installed fire barrier system.
- ⑧ Solid slab, with fire resistance to the same or greater than the fire resistance of the installed fire barrier system.

Promat PROMASEAL® Fire Barrier - Approval Matrix: Up to 60 Minute Walls (BS476: Part 20:1987)

Product Name:	Promaseal Fire Barrier
Coating / DFT:	Promaseal Fire Barrier Coating/1mm
Density:	140 kg/m ³ minimum

Barrier	Service	Integrity	Insulation
Single layer (50mm)	Cable Ladder (340mm wide by 100mm high max.)	60 minutes	60 minutes
	Cables up to 26mm diameter	60 minutes	N/A
	Steel pipes up to 60mm diameter	60 minutes	30 minutes
	PVC pipes up to 110mm diameter*	60 minutes	N/A
	Steel ducts (445mm wide by 445mm high max.)	60 minutes	N/A

* PVC pipes must be used in conjunction with Promaseal Pipewraps over sealed with ablative coating

Maximum aperture:	2880mm high by 2400mm/2400mm high by 2880mm wide (maximum area 6.91m ²). Multiple apertures must be separated by a minimum of 400mm in drywalls and 240mm in concrete/masonry constructions.
Walls	The walls shall be a minimum of 66mm thick. The minimum density for the concrete or brick of the wall is 780kg/m ³ and for walls made of concrete blocks is 600kg/m ³ . Partition drywalls will comprise at least 1 layer of minimum 12.5mm thick Type 'F' gypsum board on each side of minimum 70mm by 32mm steel studs. Supalux steel stud drywalls as specified in Certificate of Approval CF420A will comprise at least 1 layer of minimum 9mm thick Supalux board on each side of minimum 48mm by 35mm steel studs. For further details of this construction CF420A should be consulted. All concrete, masonry or drywalls shall have at least the same fire rating as that required for the barrier.
Application Technique:	Concrete/masonry walls: Board joints and the board to aperture junction is sealed with Promaseal Intumescent Acrylic Sealant or Promaseal Fire Barrier Coating. Apertures for penetrating items are to be tightly fitting and be sealed with Promaseal Intumescent Acrylic Sealant or Promaseal Fire Barrier Coating and must be separated by at least 400mm. Gypsum Drywalls: As above and additionally the aperture must be formed from track sections and be lined with a layer of 12.5mm thick Type 'F' gypsum board. Supalux Drywalls: As above and Apertures must be formed from track sections and be lined with a layer of minimum 9mm thick Supalux board.
Service Coat-Back:	Not required
U Value	Not known
Service Support Requirements:	Services should be rigidly supported via steel angles, hangers or channels, not further than 500mm from the surface of the sealing system on both faces.
Resistance to Smoke:	Not evaluated by this approval
Weather	Not evaluated by this approval
Acoustic Rating:	Not evaluated by this approval
Movement Capability:	Not evaluated by this approval

Promat PROMASEAL® Fire Barrier - Approval Matrix: Up to 120 Minute Walls (BS476: Part 20:1987)

Product Name:	Promaseal Fire Barrier
Coating / DFT:	Promaseal Fire Barrier Coating/1mm
Density:	140 kg/m ³ minimum

Barrier	Service	Integrity	Insulation
Single layer (50mm)	Cable Ladder (340mm wide by 100mm high max.)	120 minutes	60 minutes
	Cables up to 26mm diameter	120 minutes	N/A
	Steel pipes up to 60mm diameter	120 minutes	N/A
	PVC pipes up to 110mm diameter*	60 minutes	N/A
	Steel ducts (445mm wide by 445mm high max.)	120 minutes	N/A
Double layer (100mm)	Cable Ladder (340mm wide by 100mm high max.)	120 minutes	60 minutes
	Cables up to 26mm diameter	120 minutes	60 minutes
	Steel pipes up to 60mm diameter	120 minutes	30 minutes
	PVC pipes up to 110mm diameter*	60 minutes	N/A
	Steel ducts (445mm wide by 445mm high max.)	120 minutes	N/A

* PVC pipes must be used in conjunction with Promaseal Pipewraps over sealed with ablative coating

Maximum aperture:	2400mm high by 1200mm (120 minutes integrity performance) 2880mm high by 1440mm (60 minutes integrity performance) Multiple apertures must be separated by a minimum of 400mm in drywalls and 240mm in concrete/ masonry constructions.
Walls	The walls shall be a minimum of 130mm thick. The minimum density for the concrete or brick of the wall is 780kg/m ³ and for walls made of concrete blocks is 600kg/m ³ . Partition drywalls will comprise at least 2 layers of 15mm thick Type 'F' gypsum boards on each side of minimum 70mm by 32mm steel studs. All concrete, masonry or drywalls shall have at least the same fire rating as that required for the barrier.
Application Technique:	Concrete/masonry walls: Board joints and the board to aperture junction is sealed with Promaseal Intumescent Acrylic Sealant or Promaseal Fire Barrier Coating. Apertures for penetrating items are to be tightly fitting and be sealed with Promaseal Intumescent Acrylic Sealant or Promaseal Fire Barrier Coating and must be separated by at least 400mm. Drywalls: As above and additionally the aperture must be formed from track sections and be lined with two layers of 15mm thick Type 'F' gypsum boards.
Service Coat-Back:	Not required
U Value	Not known
Service Support Requirements:	Services should be rigidly supported via steel angles, hangars or channels, not further than 500mm from the surface of the sealing system on both faces.
Resistance to Smoke:	Not evaluated by this approval
Weather	Not evaluated by this approval
Acoustic Rating:	Not evaluated by this approval
Movement Capability:	Not evaluated by this approval

Promat PROMASEAL® Fire Barrier - Approval Matrix: Up to 240 Minute Walls (BS476: Part 20:1987)

Product Name:	Promaseal Fire Barrier		
Coating / DFT:	Promaseal Fire Barrier Coating/1mm		
Density:	140 kg/m ³ minimum		
Barrier	Service	Integrity	Insulation
Single layer (50mm)	Cable Ladder (340mm wide by 100mm high max.)	240 minutes	N/A
	Cables up to 20mm diameter	240 minutes	N/A
	Areas of seal without services	240 minutes	60 minutes
Double layer (100mm)	Cable Ladder (340mm wide by 100mm high max.)	240 minutes	60 minutes
	Cables up to 20mm diameter	240 minutes	60 minutes
	Areas of seal without services	240 minutes	240 minutes
Maximum aperture:	1000mm high and 660mm wide subject to a maximum area of 0.6m ² . Multiple apertures must be separated by a minimum of 240mm in concrete/masonry constructions.		
Walls	The walls shall be a minimum of 140mm thick. The minimum density for the concrete or brick of the wall is 780kg/m ³ and for walls made of concrete blocks is 600kg/m ³ . All concrete or masonry walls shall have at least the same fire rating as that required for the barrier.		
Application Technique:	Concrete/masonry walls: Board joints and the board to aperture junction is sealed with Promaseal Intumescent Acrylic Sealant or Promaseal Fire Barrier Coating. Apertures for penetrating items are to be tightly fitting and be sealed with Promaseal Intumescent Acrylic Sealant or Promaseal Fire Barrier Coating and must be separated by at least 240mm.		
Service Coat-Back:	Not required		
U Value	Not known		
Service Support Requirements:	Services should be rigidly supported via steel angles, hangars or channels, not further than 500mm from the surface of the sealing system on both faces.		
Resistance to Smoke:	Not evaluated by this approval		
Weather	Not evaluated by this approval		
Acoustic Rating:	Not evaluated by this approval		
Movement Capability:	Not evaluated by this approval		

Promat PROMASEAL® Fire Barrier – Approval Matrix: Up to 120 Minute Floors (BS476: Part 20:1987)

Product Name:	Promaseal Fire Barrier		
Coating / DFT:	Promaseal Fire Barrier Coating/1mm		
Density:	140 kg/m ³ minimum		
Barrier	Service	Integrity	Insulation
Double layer (100mm)	Cable Ladder (340mm wide by 100mm high max.)	120 minutes	60 minutes
	Cables up to 20mm diameter	120 minutes	60 minutes
	Areas of seal without services	120 minutes	120 minutes
Maximum aperture:	1200mm long and 600mm wide subject to a maximum area of 0.72m ² . Multiple apertures must be separated by a minimum of 240mm in concrete constructions.		
Floors	The floors shall be a minimum of 115mm thick. The minimum density for the concrete floor is 780kg/m ³ . All concrete floors shall have at least the same fire rating as that required for the barrier.		
Application Technique:	Concrete floors: Board joints and the board to aperture junction is sealed with Promaseal Intumescent Acrylic Sealant or Promaseal Fire Barrier Coating. Apertures for penetrating items are to be tightly fitting and be sealed with Promaseal Intumescent Acrylic Sealant or Promaseal Fire Barrier Coating and must be separated by at least 240mm.		
Service Coat-Back:	Not required		
U Value	Not known		
Service Support Requirements:	Services should be rigidly supported via steel angles, hangars or channels, not further than 500mm from the surface of the sealing system on both faces.		
Resistance to Smoke:	Not evaluated by this approval		
Weather	Not evaluated by this approval		
Acoustic Rating:	Not evaluated by this approval		
Movement Capability:	Not evaluated by this approval		

Technical Services

For technical support and advice
T: 0800 145 6033 or 01275 377 789
E: technical.promat@etexbp.co.uk

Etex Building Performance Limited

Marsh Lane, Easton-in-Gordano, Bristol, BS20 0NE
T: 0800 373 636 F: 01275 379 037
E: www.promat.co.uk